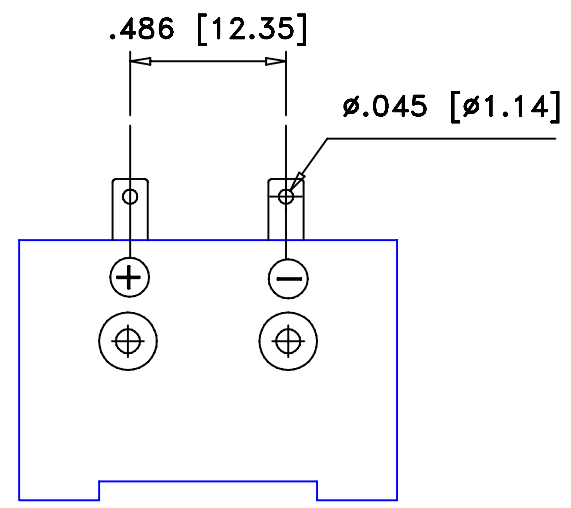
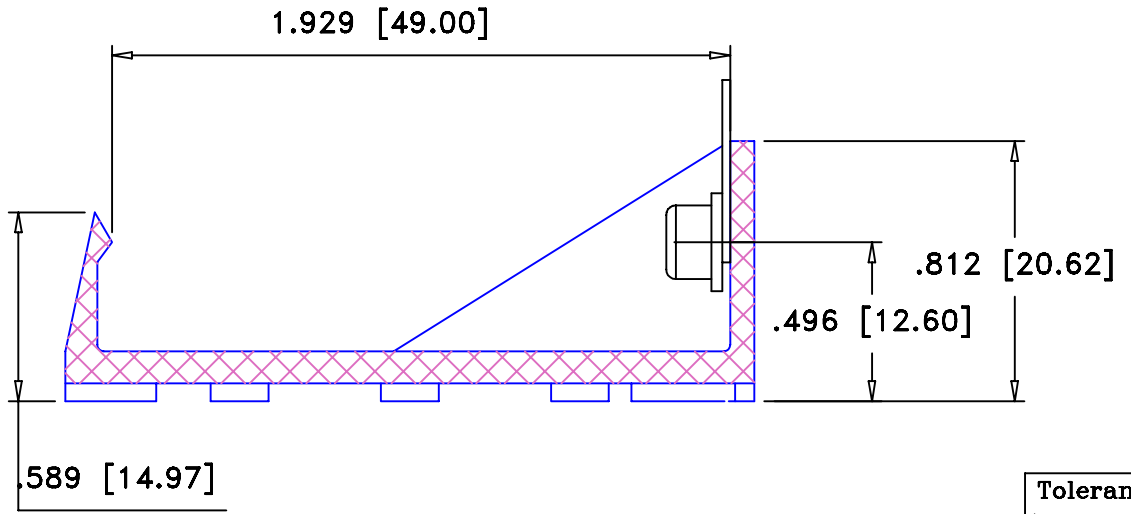
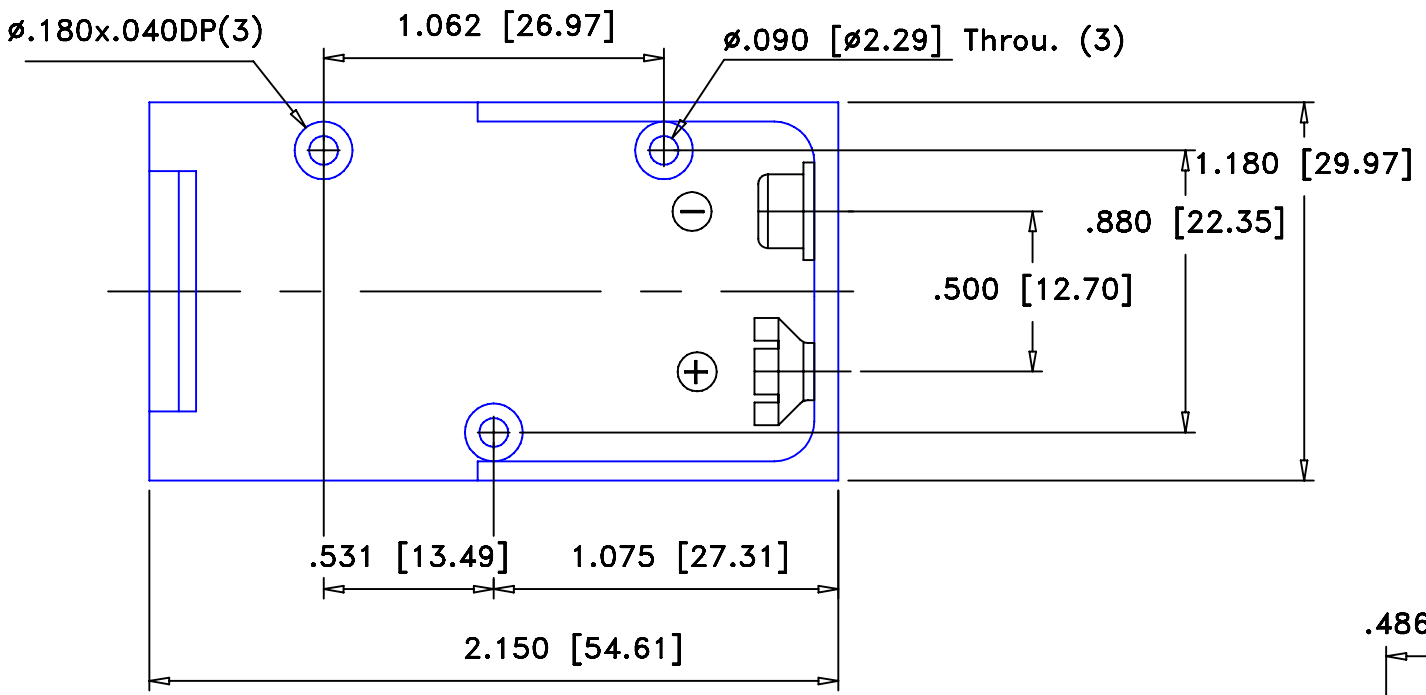



Date	SYM	REVISION RECORD	AUTH	DR.	CK.



Tolerance (Except as noted)	 Memory Protection Devices, Inc 200 Broad Hollow Road, Farmingdale, New York 11735	Scale 2=1	Drawn By T.S.
			Approved By T.B.
decimal $\pm .5 (.020)$	Title BH9VL ASSEMBLY	Date 2/10/01	Drawing Number BH9VL
Fractional $\pm .8 (.030)$			
Angular $\pm 3^\circ$			

WASHER	INSULATOR	RUBBER
HOLDER	HOLDER UL94V-0, FILE No. E56070(S)	HIGH IMPACT ABS BLACK, UL940-0
CONTACTS	BRASS SNAPS	NICKEL PLATED BRASS
PART	DESCRIPTION	MATERIAL